
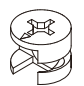



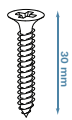
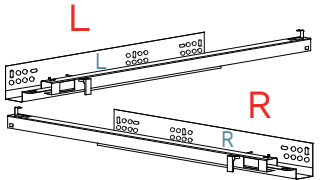

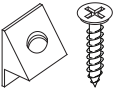

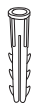
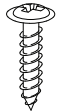

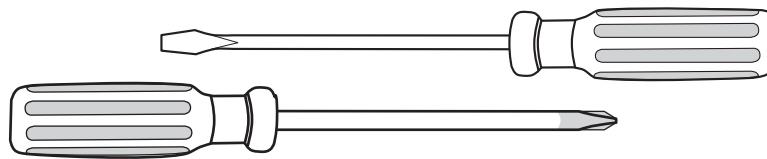


Eros Six Drawer

Thank you for your purchase.
Please follow the instructions below for correct assembly.

A  57 x bolt	B  57 x locking nut	C  36 x dowel	D  13 x long screw	E  16 x small screw
F  30 x Long screw	L  12 x L+R Slide rail	H  11 x long screw	I  12 x wedge	W  2 x safety strap
				X  2 x wall anchor
				Y  2 x screw
				Z  2 x washer

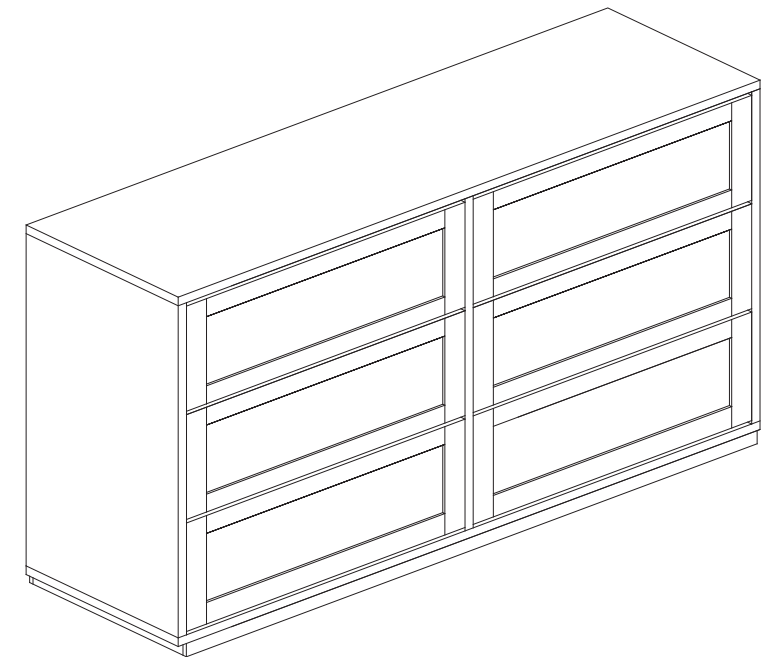
HARDWARE SUPPLIED



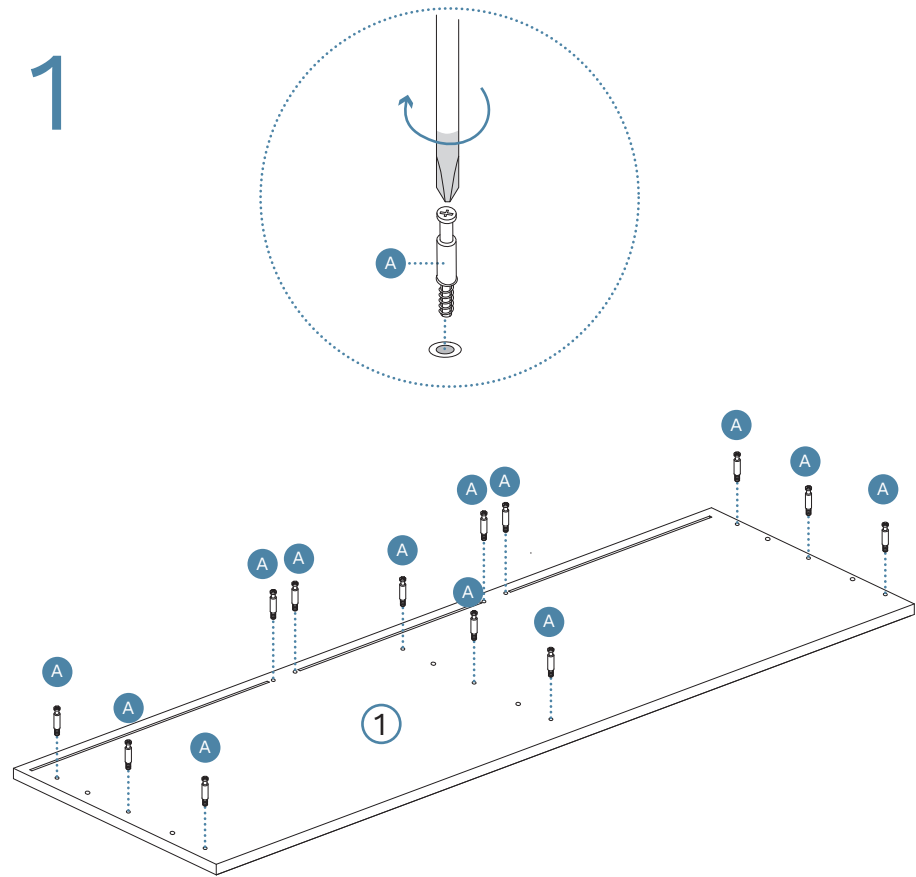
Phillips & Flathead screwdrivers and hammer required

*We recommend using a Flathead screwdriver to tighten all locking nuts 100% before first use.

WARNING: Any furniture that is not anchored to a wall has the potential to tip over in certain circumstances, i.e. if a child attempts to climb up on the furniture or in the event of an earthquake. Accordingly, we recommend that all furniture is anchored to a wall. We supply a free safety wall anchor with all furniture sold and we recommend these are used to prevent your product tipping. The fixing device provided should fit most wall types, but please note that different wall materials may require different fixing devices from those supplied.

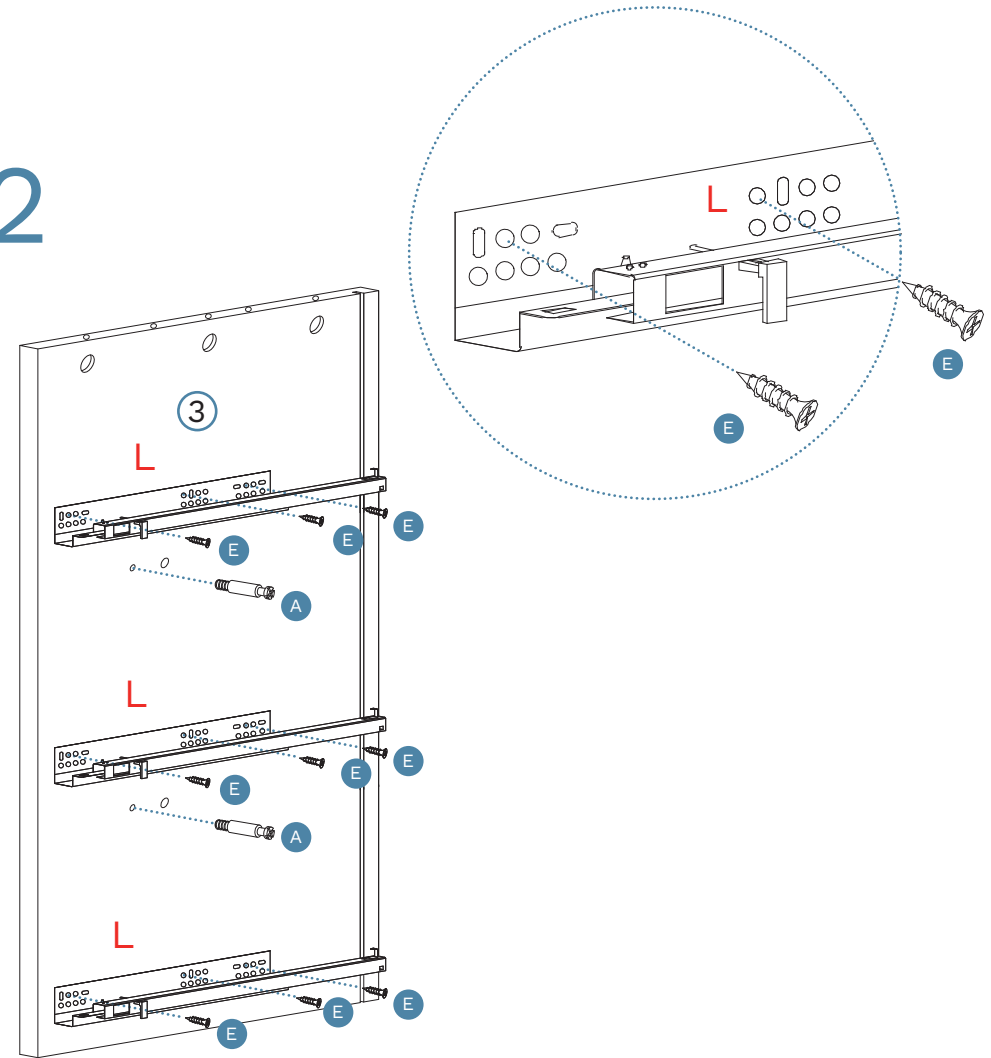


Eros Six Drawer



Insert 13 x bolts (A) into panel [1]. Tighten with a screwdriver.

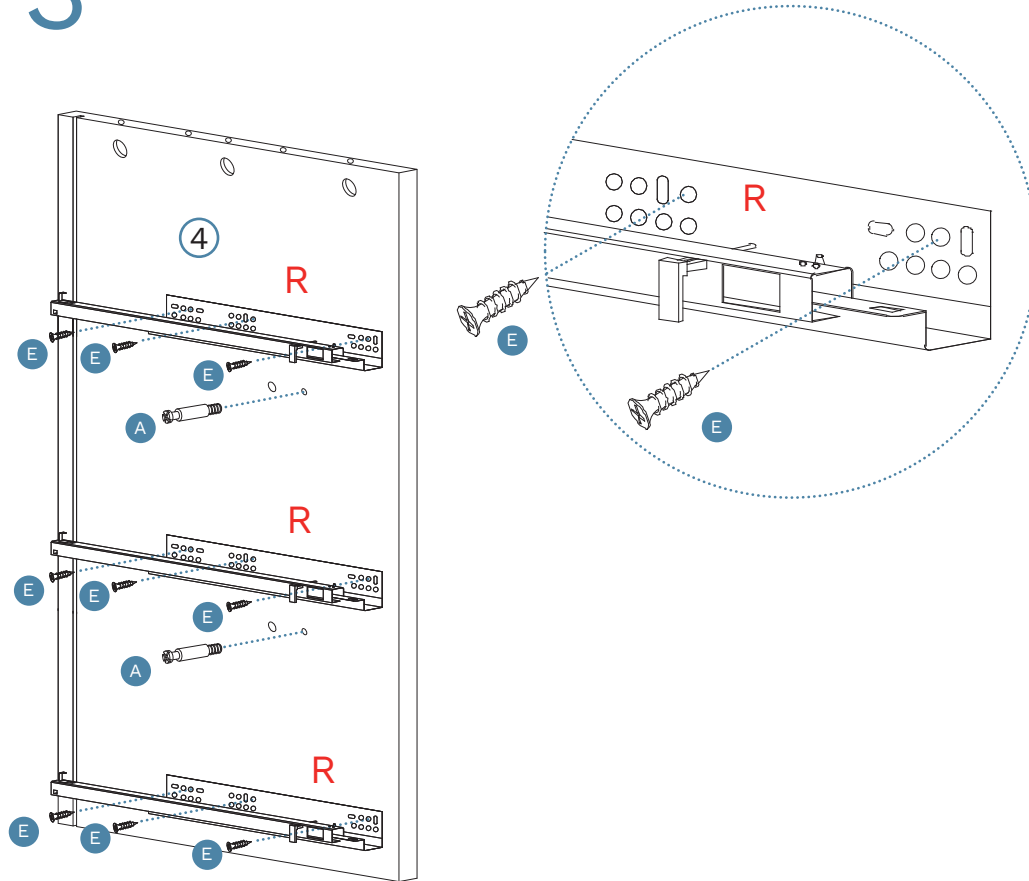
2



Attach 3 x left slide rails (L) to panel [3] and secure with 9 x small screws (E). Insert 2 x bolts (A) into panel [3]. Tighten with a screwdriver.

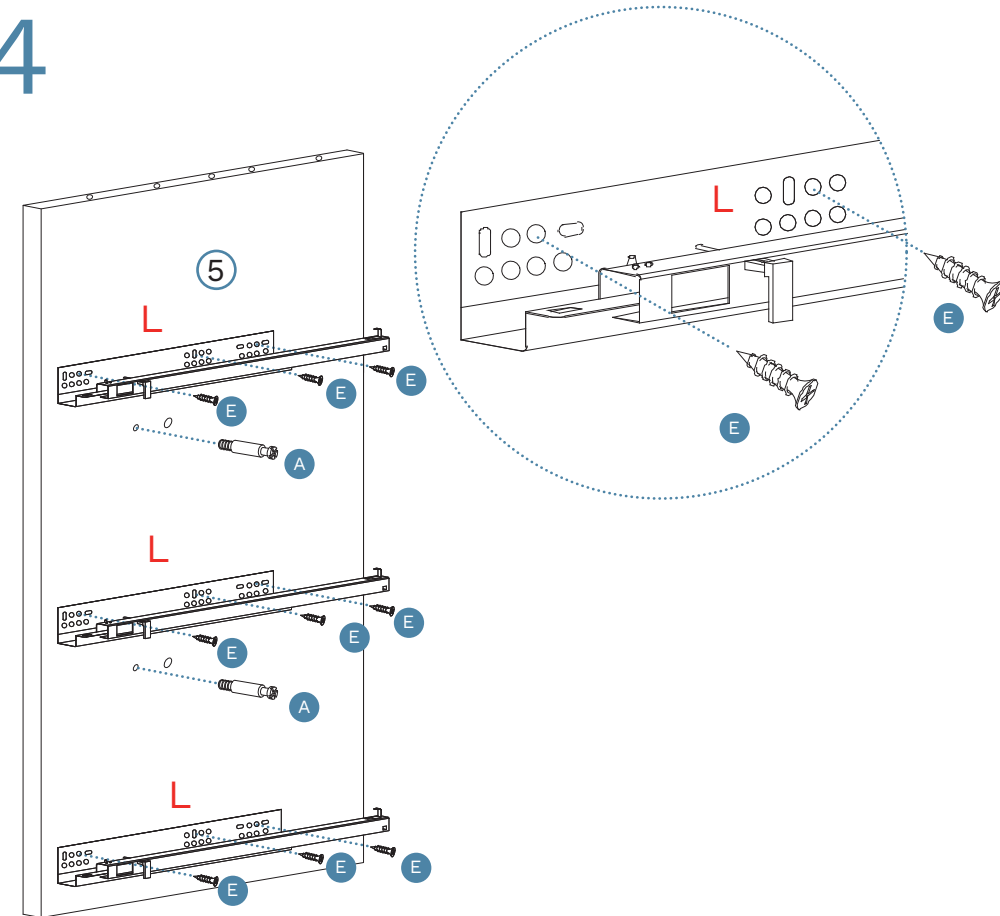
Eros Six Drawer

3



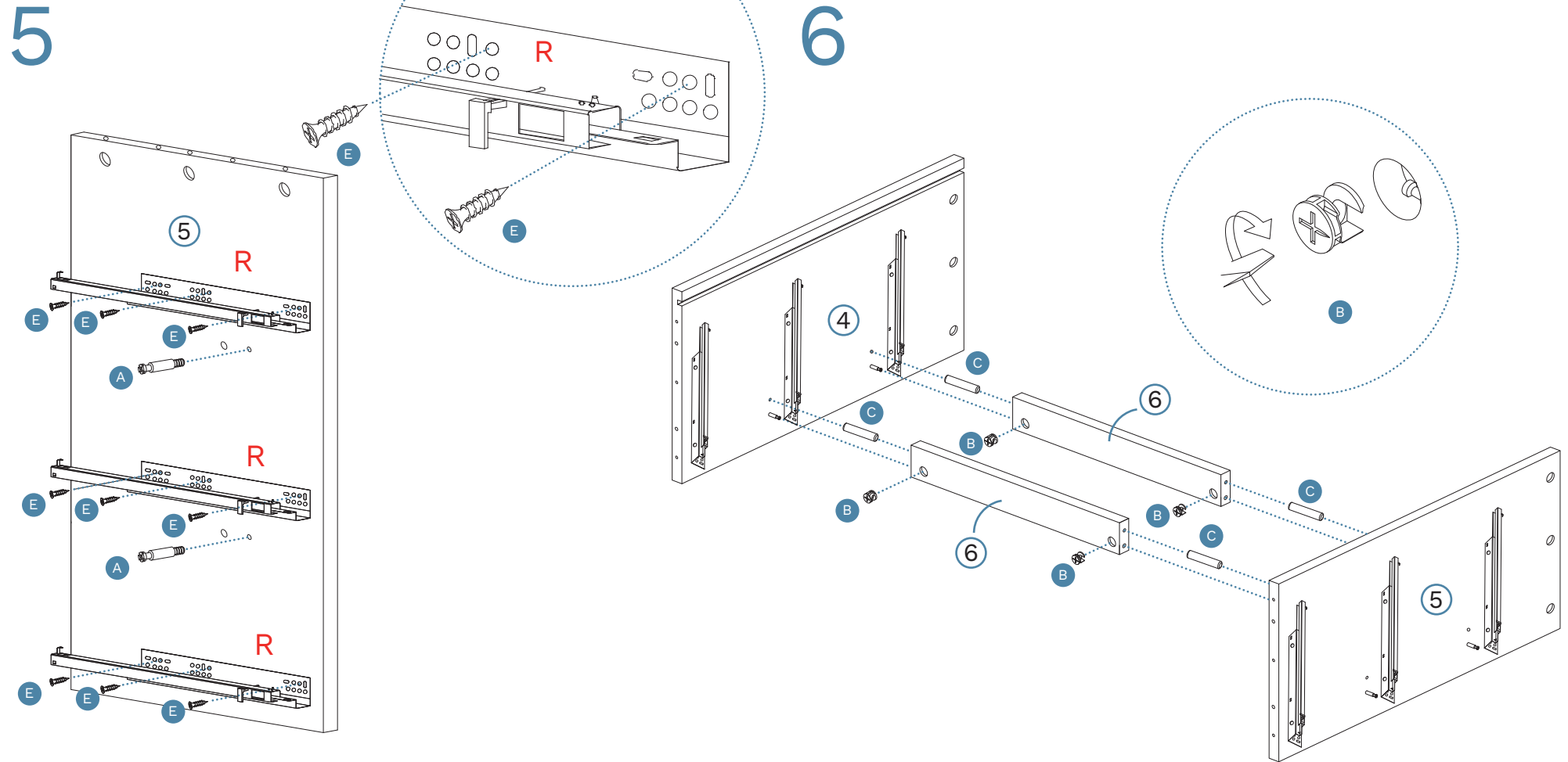
Attach 3 x right slide rails (R) to panel [4] and secure with 9 x small screws (E). Insert 2 x bolts (A) into panel [4]. Tighten with a screwdriver.

4



Attach 3 x left slide rails (L) to panel [5] and secure with 9 x small screws (E). Insert 2 x bolts (A) into panel [5]. Tighten with a screwdriver.

Eros Six Drawer



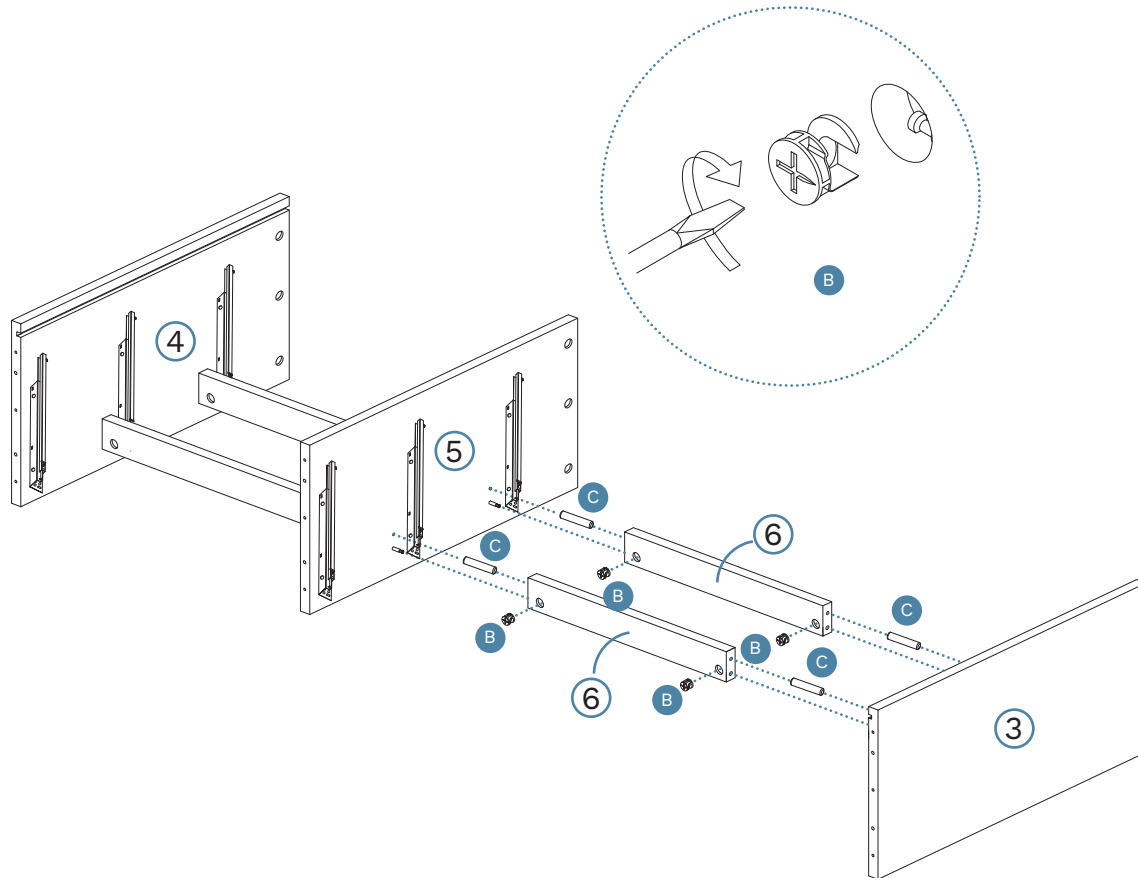
Attach 3 x right slide rails (R) to panel [5] and secure with 9 x small screws (E). Insert 2 x bolts (A) into panel [5]. Tighten with a screwdriver.

Insert 4 x dowels (C) to panels [6] and attach panels [4] and [5]. Insert 4 x locking nuts (B) into panels [6]. Tighten with a screwdriver.

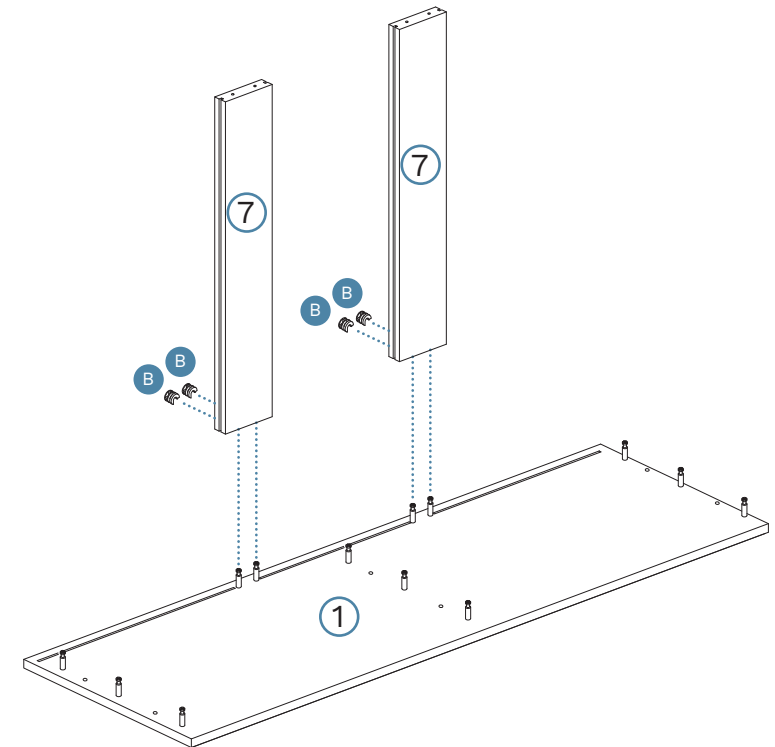
Eros Six Drawer

7

8



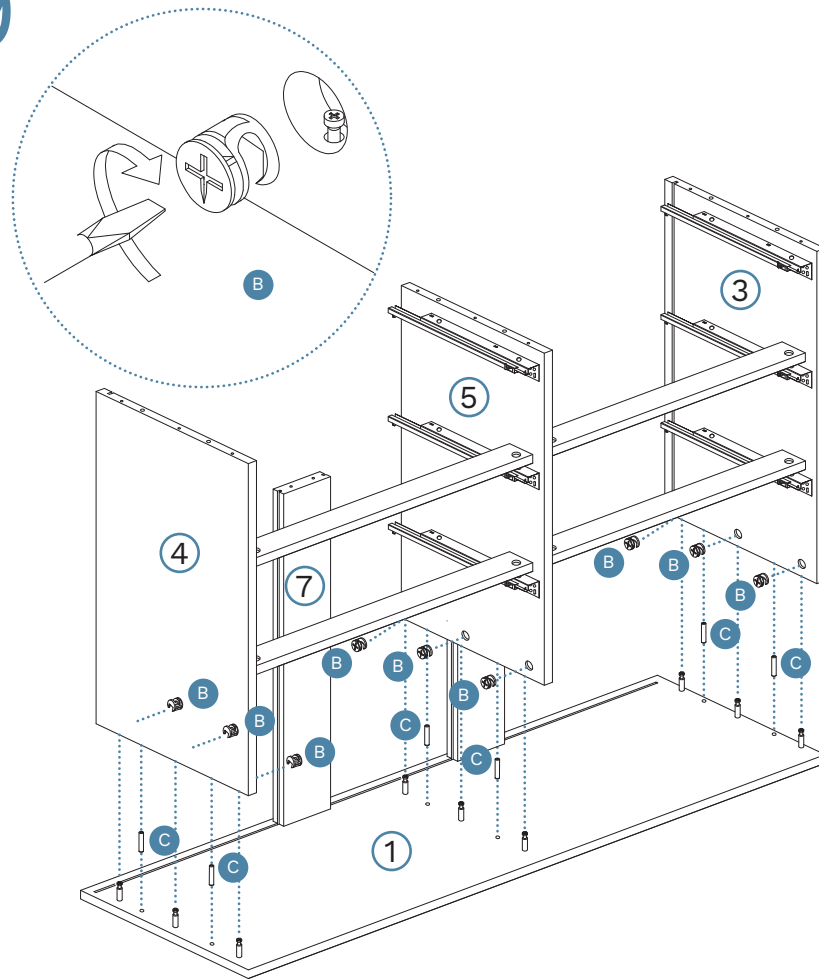
Insert 4 x dowels (C) to panels [6] and attach panels [3] and [5]. Insert 4 x locking nuts (B) into panels [6]. Tighten with a screwdriver.



Attach panels [7] to panel [1] and secure with 4 x locking nuts (B). Tighten with a screwdriver.

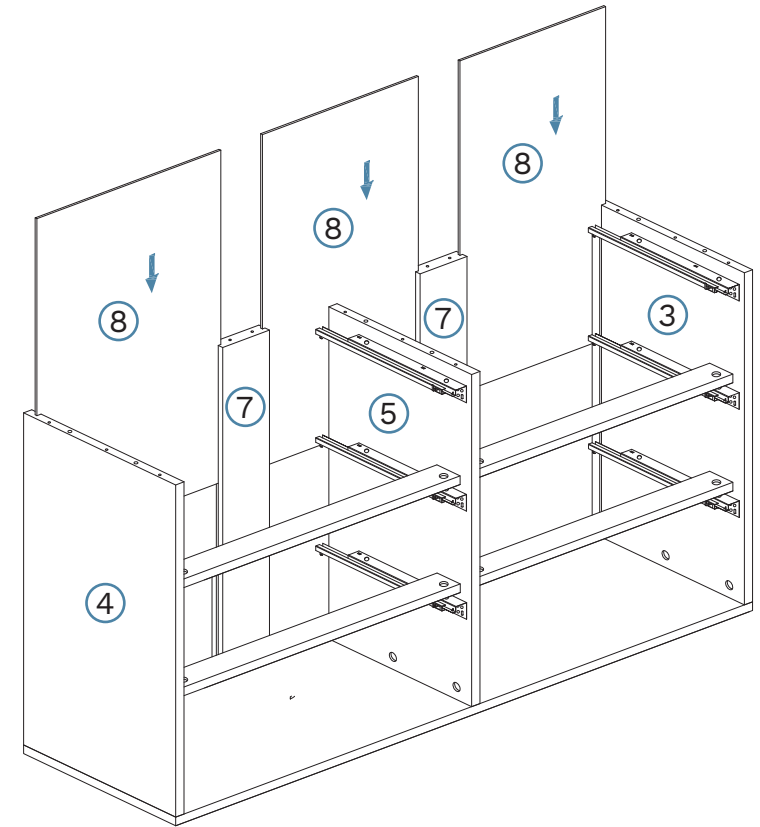
Eros Six Drawer

9



Insert 6 x dowels (C) into panel [3], [4] and [5]. Attach panel [1] to panels [3], [4] and [5], secure with 9 x locking nuts (B). Tighten with a screwdriver.

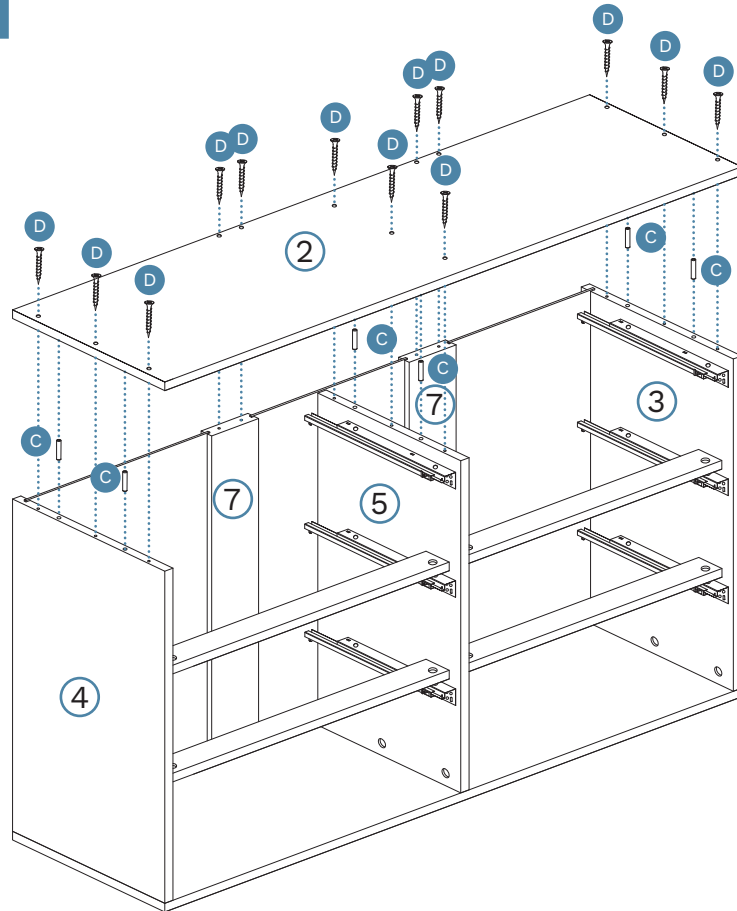
10



Slide panels [8] between the grooves on panels [3], [4], [5] and [7] to form the back of the unit as shown.

Eros Six Drawer

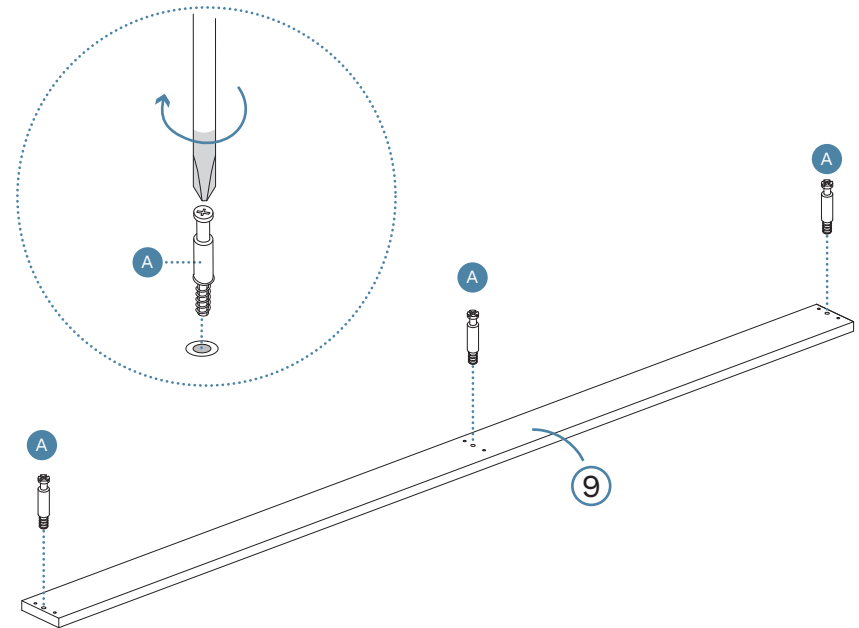
11



Insert 6 x dowels (C) into panels [3], [4] and [5]. Attach panel [2] to panels [3], [4], [5] and [7], securing with 13 x long screws (D). Tighten with a screwdriver.

12

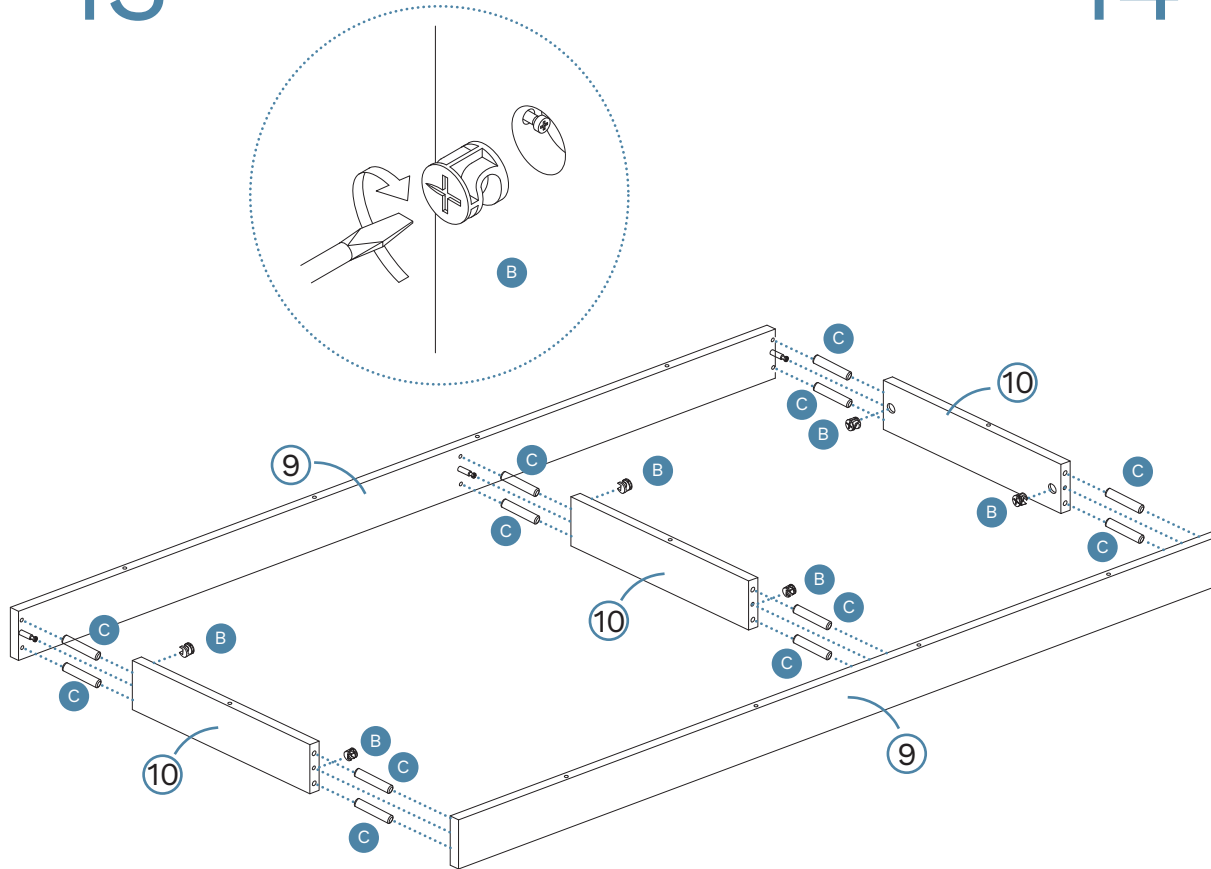
Panel piece x 2



Attach 6 x bolts (A) into panels [9]. Tighten with a screwdriver.

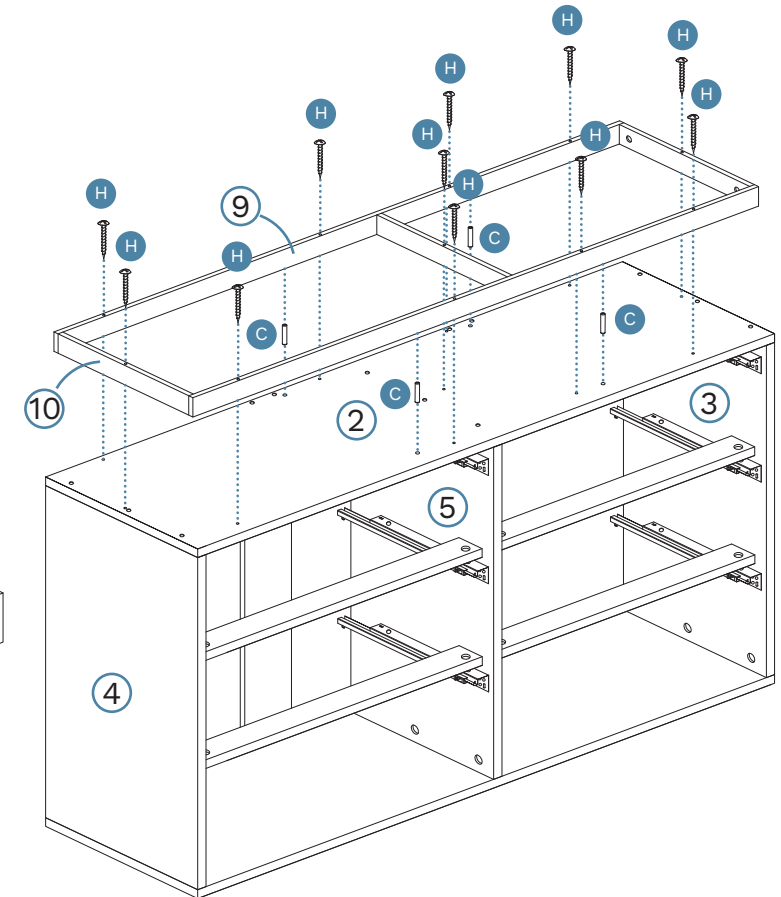
Eros Six Drawer

13



Insert 12 x dowels (C) to panels [10] and attach panels [9]. Insert 6 x locking nuts (B) into panels [10]. Tighten with a screwdriver.

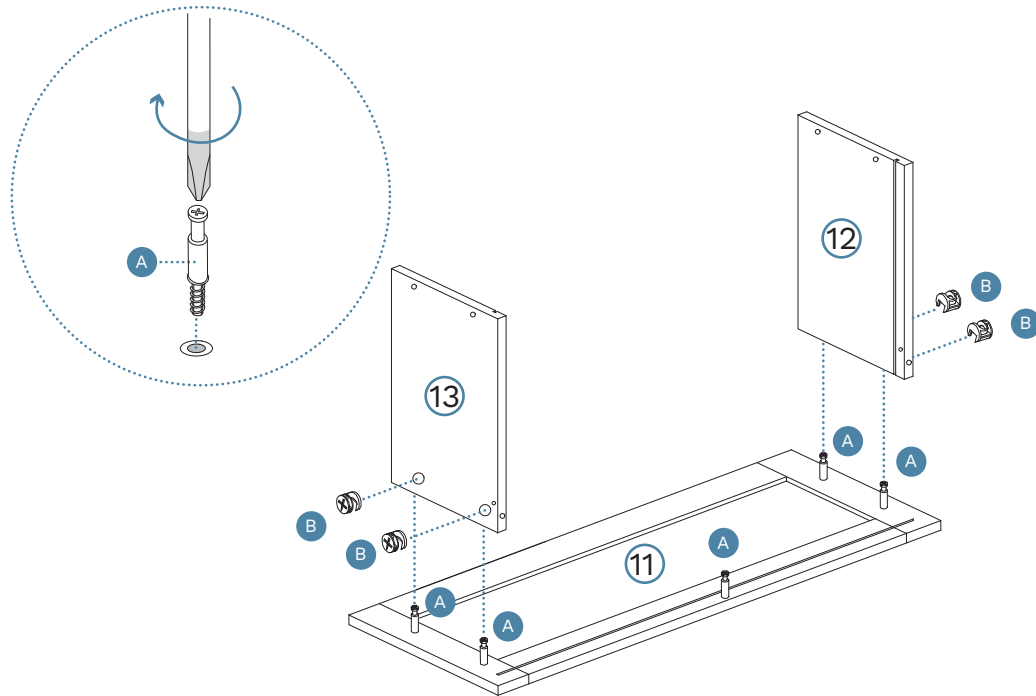
14



Insert 4 x dowels (C) into panels [2] and [9]. Attach panels [9] and [10] to panel [2] and secure with 11 x long screws (H). Tighten with a screwdriver.

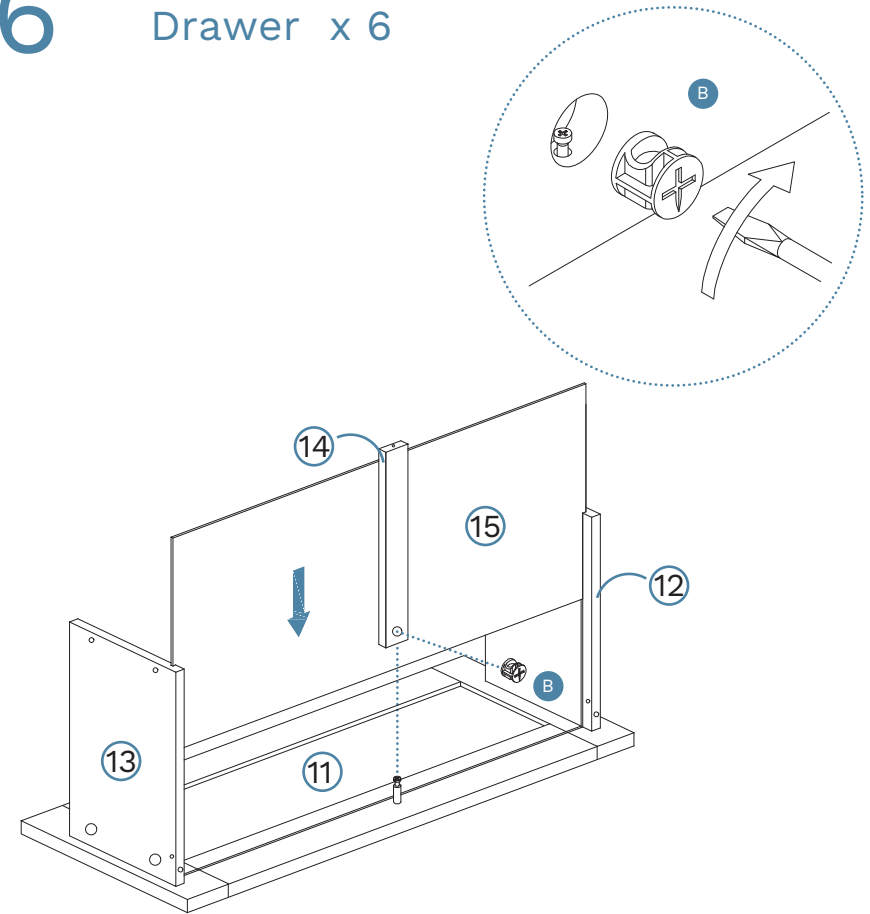
Eros Six Drawer

15 Drawer x 6



Insert 30 x bolts (A) into panel [11]. Attach panels [12], [13] and [11] to panels [11] and secure with 24 x locking nuts (B). Tighten with a screwdriver.

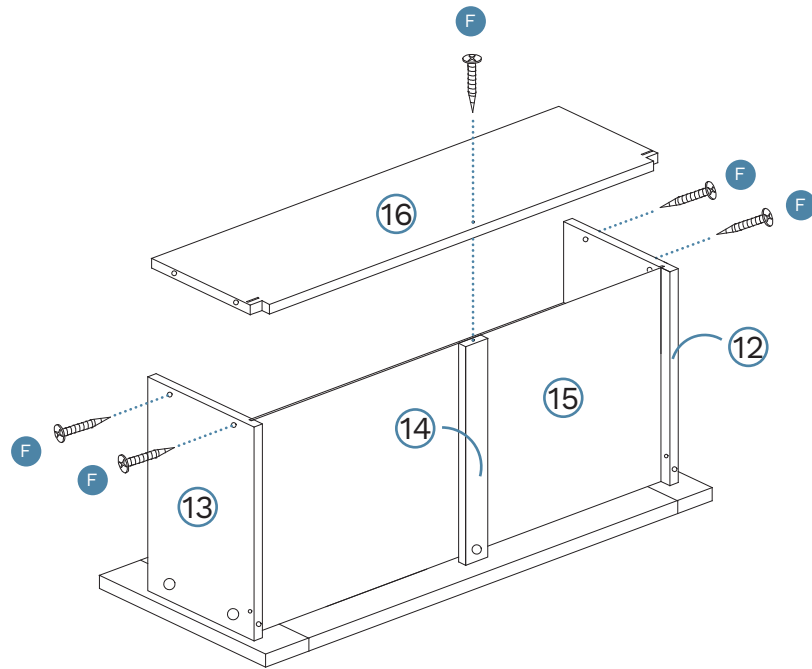
16 Drawer x 6



Slide panels [15] between the grooves on panels [12] and [13] to form the base of the drawer as shown. Attach panels [14] to panels [11] and secure with 6 x locking nuts (B).

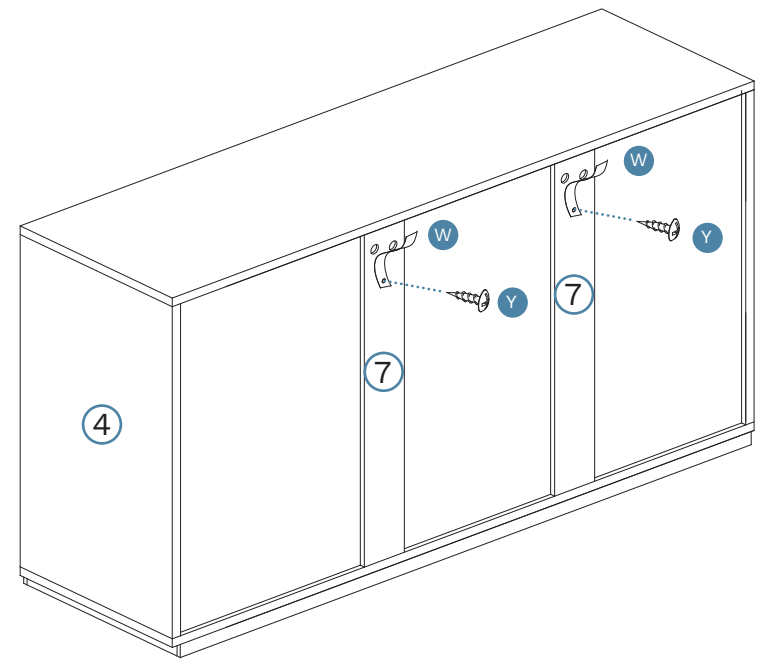
Eros Six Drawer

17 Drawer x 6



Attach panels [16] to panels [12], [13] and [14] secure with 30 x medium screws (F). Tighten with a screwdriver.

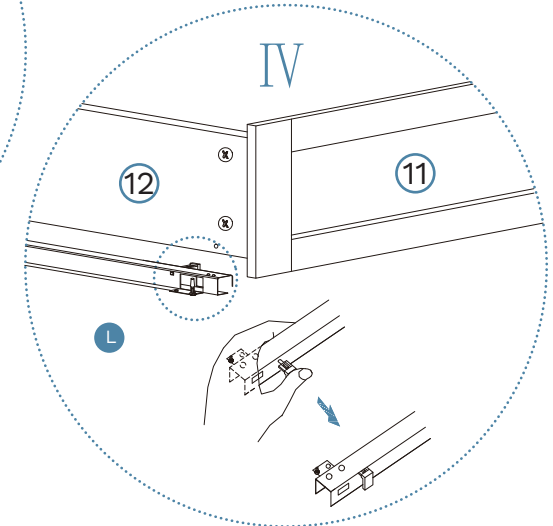
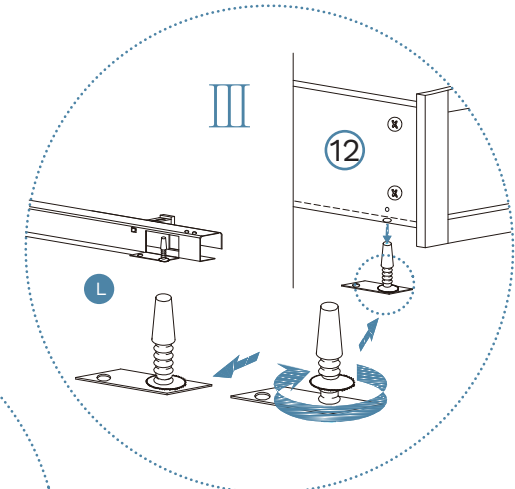
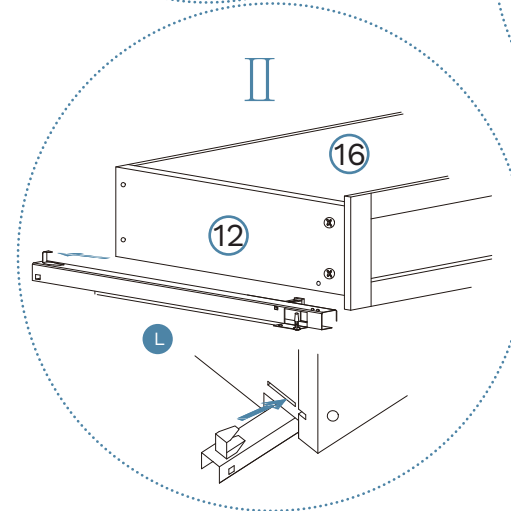
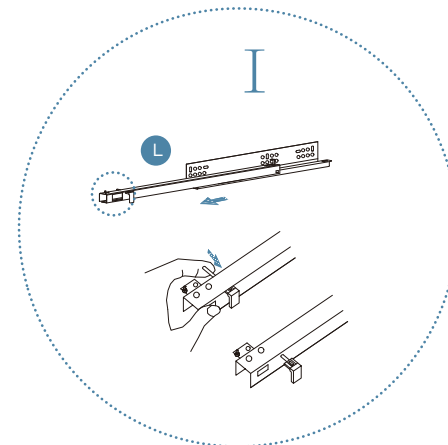
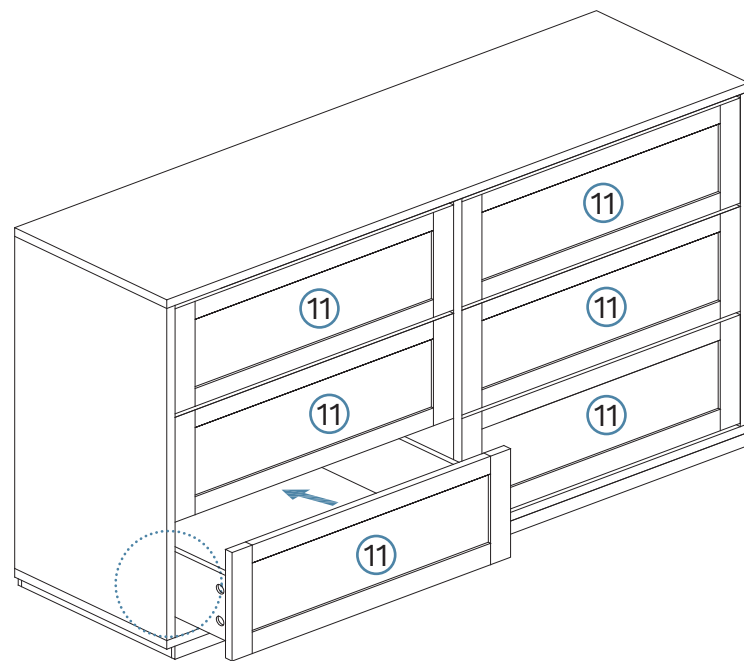
18



Attach 2 x wall strap (W) to panels [7] using 2 x screw (Y). Tighten with a screwdriver.

Eros Six Drawer

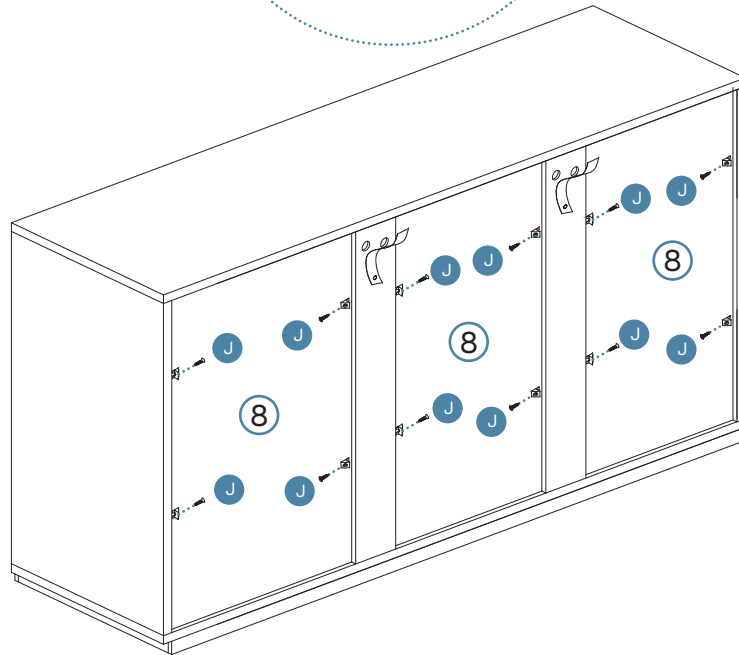
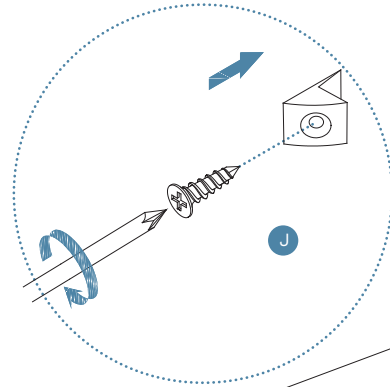
19



Now all drawers are made up, slide them into rails in the six drawer cabinet.
Tighten with a screwdriver.

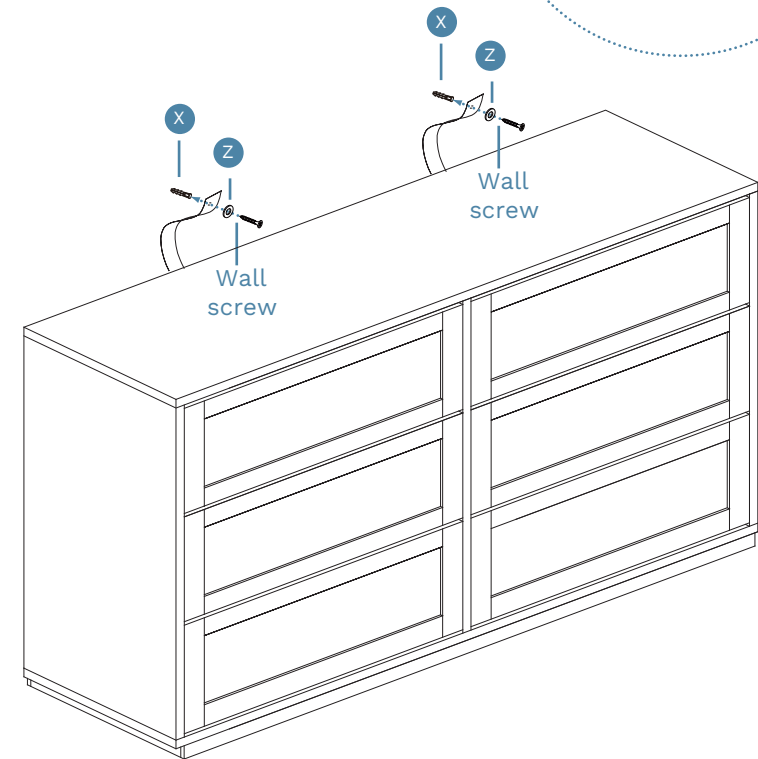
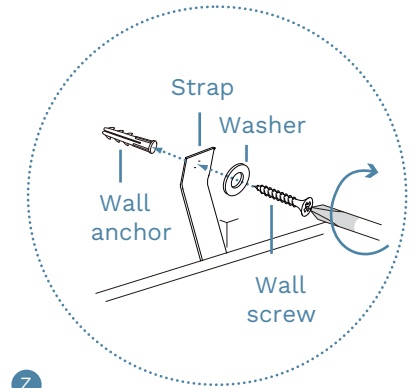
Eros Six Drawer

20



Attach 12 xwedges (J) to panel [8]. Tighten with a screwdriver.

21



Once assembled lift furniture into place, do not drag. Use a drill to create a small hole lining up with the top of the safety stap (W). Fasten to wall using wall anchor (X), washer (Z) and screw. Ensure the unit is balanced and steady before use. You're done, enjoy!